

Cable Ladder

KSC

Khareiji Showrooms Co.ltd

KSC OMNILADDER

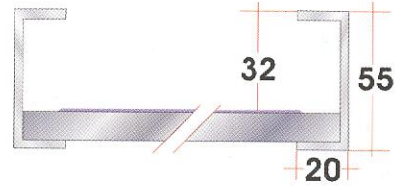
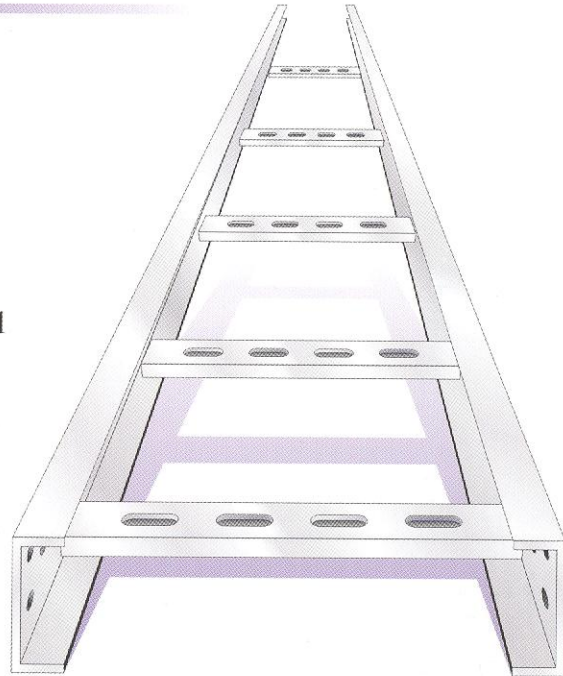
KSC Cable ladders are divided into two categories:

I. CLASSIC II. ESTEEM

I. CLASSIC

A. 55mm height cable ladder (KSC55)

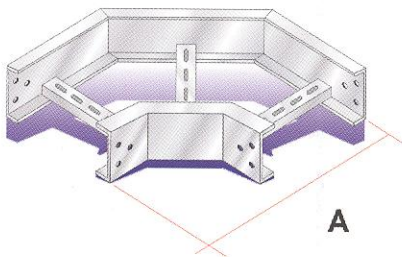
- Material thickness 1.5mm
- Rung type U welded type
- Rung spacing 300mm centre
- Standard length 2.44 Mtr OR 3 Mtr.
- Standard finishes
 1. Hot dip galvanised after fabrication to BS EN 1461
 2. Epoxy coating
 3. PVC coating
 4. Stainless steel



Width mm	Weight kg.	Part No.
100	7.34	KSCI55/100
150	7.76	KSCI55/150
225	8.38	KSCI55/225
300	8.99	KSCI55/300
450	10.23	KSCI55/450
600	11.47	KSCI55/600

ACCESSORIES

1. Horizontal Bend 90deg



Width mm	Weight kg.	A mm	Part No.
100	1.66	400	KSCIB55/100
150	1.87	450	KSCIB55/150
225	2.19	525	KSCIB55/225
300	2.47	600	KSCIB55/300
450	3.15	750	KSCIB55/450
600	3.80	900	KSCIB55/600

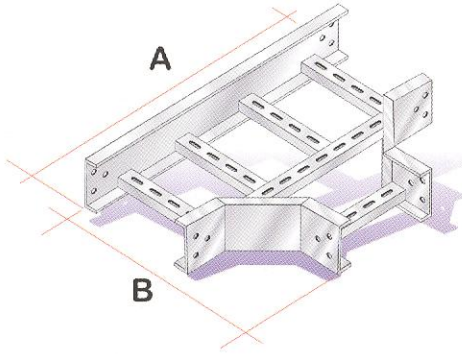
Cable Ladder

KSC-

1. CLASSIC

ACCESSORIES

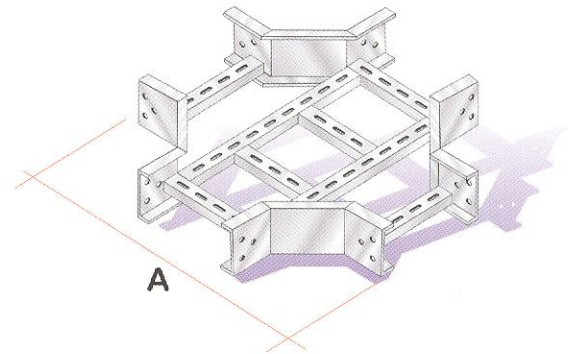
2. Equal Tee



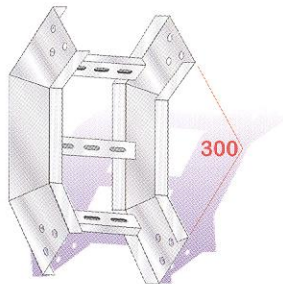
Width mm	Weight kg.	A mm	B mm	Part No.
100	2.45	700	400	KSCIT55/100
150	2.76	750	450	KSCIT55/150
225	3.15	825	525	KSCIT55/225
300	3.54	900	600	KSCIT55/300
450	4.66	1050	750	KSCIT55/450
600	5.57	1200	900	KSCIT55/600

3. Horizontal Cross

Width mm	Weight kg.	A mm	Part No.
100	3.21	700	KSCIX55/100
150	3.52	750	KSCIX55/150
225	3.95	825	KSCIX55/225
300	4.38	900	KSCIX55/300
450	5.56	1050	KSCIX55/450
600	6.65	1200	KSCIX55/600



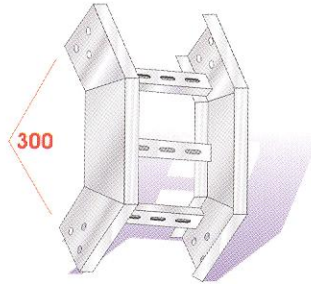
4. Vertical Inside Riser



Width mm	Weight kg.	Part No.
100	1.50	KSCIIR55/100
150	1.62	KSCIIR55/150
225	1.81	KSCIIR55/225
300	1.99	KSCIIR55/300
450	2.36	KSCIIR55/450
600	2.74	KSCIIR55/600

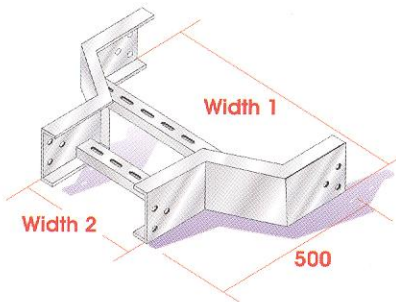
1. CLASSIC

5. Vertical outside riser



Width mm	Weight kg.	Part No.
100	1.50	KSCIOR55/100
150	1.62	KSCIOR55/150
225	1.81	KSCIOR55/225
300	1.99	KSCIOR55/300
450	2.36	KSCIOR55/450
600	2.74	KSCIOR55/600

6. Reducer



KSCR55/W1-W2

To specify reducers only determine the width in as W1, width out as W2

E.G. KSCR55/450-300

All accessories are made with standard radius of 300mm. However, we can supply alternatively radius of 600 and 900mm. Horizontal bends and Vertical risers are also available in other than 90deg as a standard item

Rungs other than 300mm centre also supplied upon request.

Cable ladder higher than 55mm side member also available upon request. Please change your requirement height instead of 55. Please follow the example shown below.

75 mm side member height - KSCI75/300

100 mm side member height - KSCI100/300

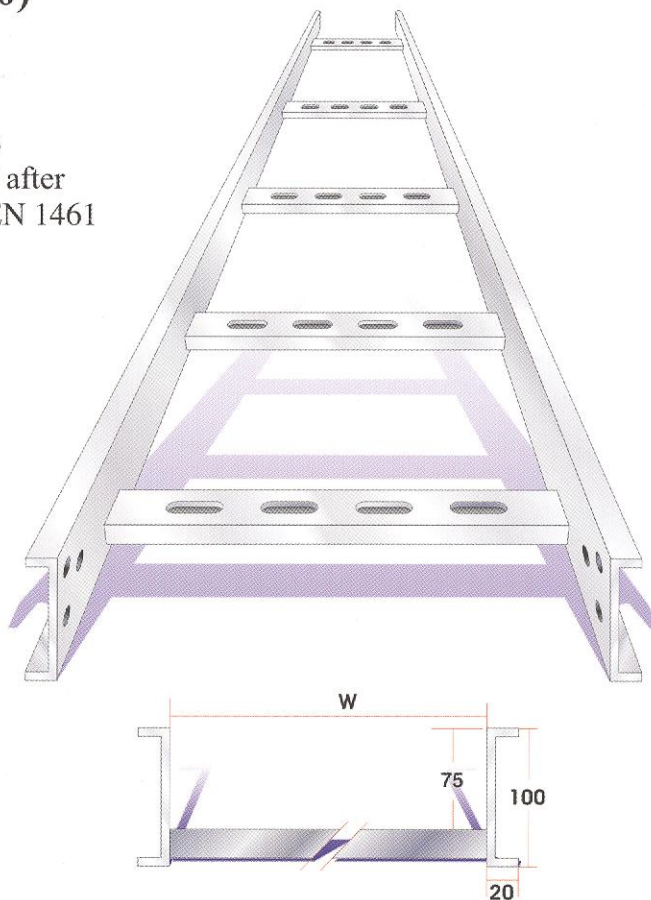
Please contact our technical office for more details.

1. CLASSIC

B. 100mm height cable ladder (KSC100)

- Material thickness 1.5mm
- Rung type U welded type
- Rung spacing 300mm centre
- Standard length 2.44 Mtr OR 3 Mtr.
- Standard finishes
 1. Hot dip galvanised after fabrication to BS EN 1461
 2. Epoxy coating
 3. PVC coating
 4. Stainless steel

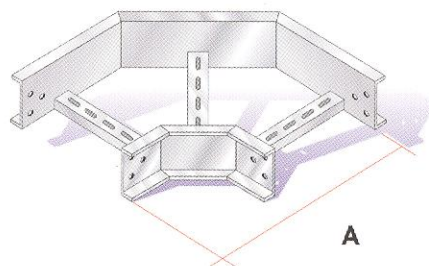
Width mm	Weight kg.	Part No.
150	10.17	KSC100/150
300	11.40	KSC100/300
450	12.64	KSC100/450
600	13.88	KSC100/600
750	15.11	KSC100/750
900	16.35	KSC100/900
1000	17.18	KSC100/1000



ACCESSORIES

1. Horizontal Bend 90deg

Width mm	Weight kg.	A mm	Part No.
150	2.41	450	KSCB100/150
300	3.15	600	KSCB100/300
450	3.89	750	KSCB100/450
600	4.64	900	KSCB100/600
750	6.78	1050	KSCB100/750
900	7.76	1200	KSCB100/900
1000	8.43	1300	KSCB100/1000

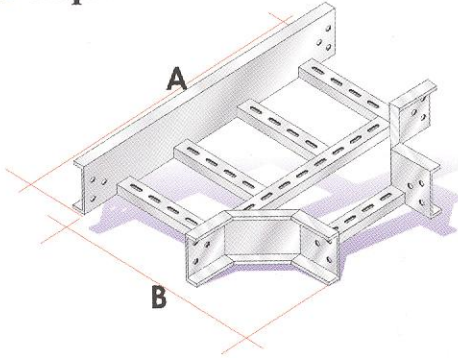


Cable Ladder

KSC-

1. CLASSIC

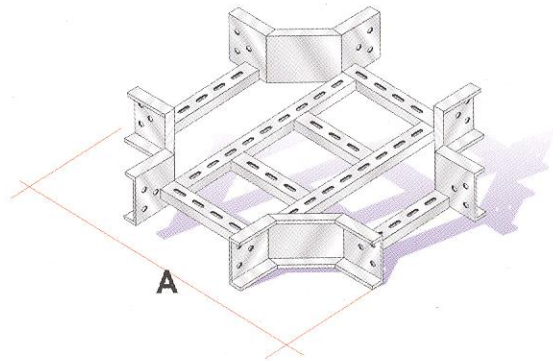
2. Equal Tee



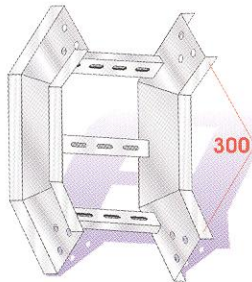
Width mm	Weight kg.	A mm	B mm	Part No.
150	3.46	750	450	KSCT100/150
300	4.39	900	600	KSCT100/300
450	5.59	1050	750	KSCT100/450
600	6.56	1200	900	KSCT100/600
750	8.14	1350	1050	KSCT100/750
900	9.23	1500	1200	KSCT100/900
1000	9.96	1600	1300	KSCT100/1000

3. Horizontal Cross

Width mm	Weight kg.	A mm	Part No.
150	4.47	750	KSCX100/150
300	5.34	900	KSCX100/300
450	6.57	1050	KSCX100/450
600	7.56	1200	KSCX100/600
750	10.04	1350	KSCX100/750
900	11.27	1500	KSCX100/900
1000	12.10	1600	KSCX100/1000



4. Vertical Inside Riser

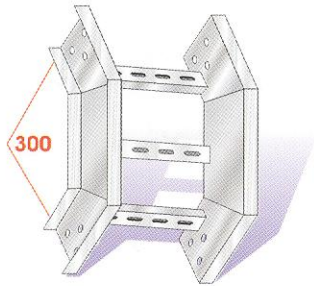


Width mm	Weight kg.	Part No.
150	2.17	KSCIR100/150
300	2.54	KSCIR100/300
450	2.94	KSCIR100/450
600	3.28	KSCIR100/600
750	3.65	KSCIR100/750
900	4.02	KSCIR100/900
1000	4.27	KSCIR100/1000

1. CLASSIC

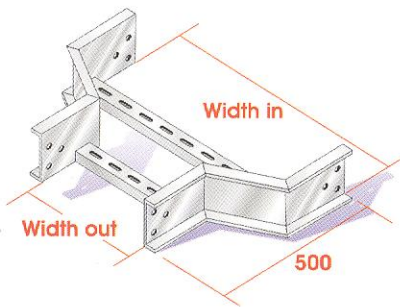
ACCESSORIES

5. Vertical Outside Riser



Width mm	Weight kg.	Part No.
150	2.17	KSCOR100/150
300	2.54	KSCOR100/300
450	2.94	KSCOR100/450
600	3.28	KSCOR100/600
750	3.65	KSCOR100/750
900	4.02	KSCOR100/900
1000	4.27	KSCOR100/1000

6. Reducer



KSCR100/W1-W2

To specify reducers only determine the width in as W1, width out as W2
E.G. KSCR100/900-750

All accessories are made with standard radius of 300mm. However, we can supply alternatively radius of 600 and 900mm. Horizontal bends and Vertical risers are also available in other than 90deg as a standard item

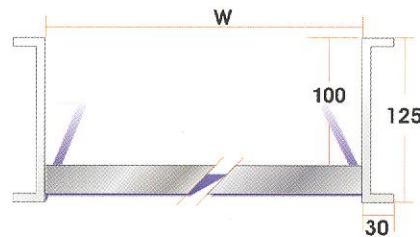
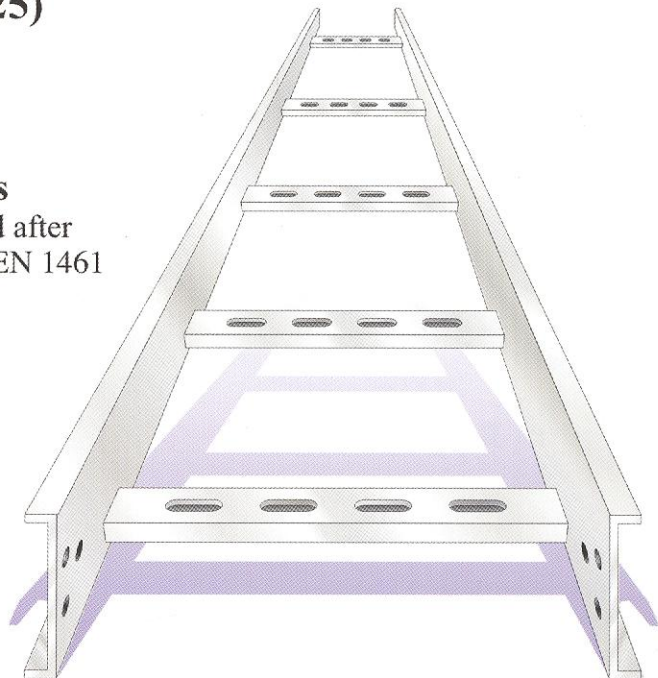
Rungs other than 300mm centre also supplied upon request.

1. CLASSIC

C. 125mm height cable ladder (KSC125)

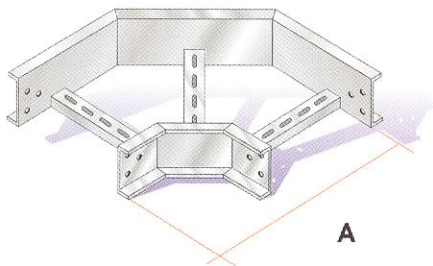
- **Material thickness**
2.0mm
- **Rung type**
U welded type
- **Rung spacing**
300mm centre
- **Standard length**
2.44 Mtr OR 3 Mtr.
- **Standard finishes**
 1. Hot dip galvanised after fabrication to BS EN 1461
 2. Epoxy coating
 3. PVC coating
 4. Stainless steel

Width mm	Weight kg.	Part No.
150	18.81	KSC125/150
300	20.46	KSC125/300
450	22.11	KSC125/450
600	23.76	KSC125/600
750	25.41	KSC125/750
900	27.06	KSC125/900
1000	28.16	KSC125/1000



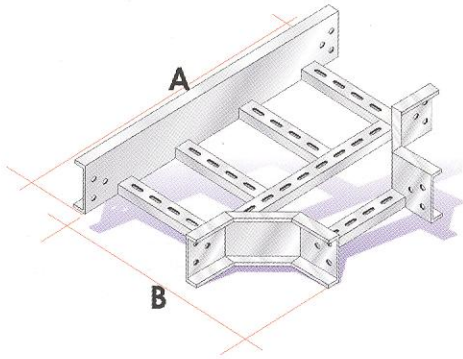
ACCESSORIES

1. Horizontal Bend 90deg



Width mm	Weight kg.	A mm	Part No.
150	4.39	450	KSCB125/150
300	5.60	600	KSCB125/300
450	6.80	750	KSCB125/450
600	8.01	900	KSCB125/600
750	11.08	1050	KSCB125/750
900	12.62	1200	KSCB125/900
1000	13.65	1300	KSCB125/1000

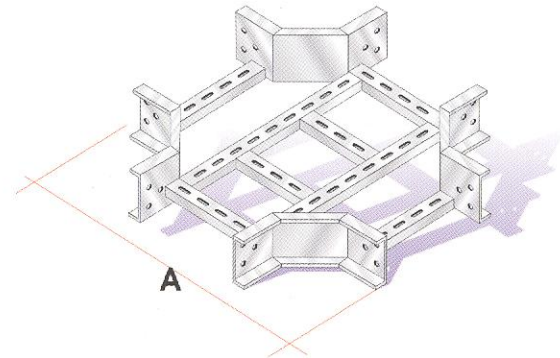
2. Equal Tee



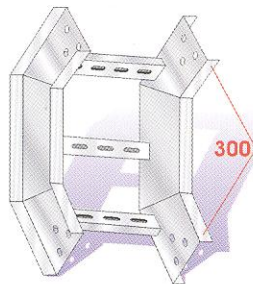
Width mm	Weight kg.	A mm	B mm	Part No.
150	6.16	750	450	KSCT125/150
300	7.55	900	600	KSCT125/300
450	9.30	1050	750	KSCT125/450
600	10.72	1200	900	KSCT125/600
750	12.96	1350	1050	KSCT125/750
900	13.54	1500	1200	KSCT125/900
1000	15.60	1600	1300	KSCT125/1000

3. Horizontal Cross

Width mm	Weight kg.	A mm	Part No.
150	7.79	750	KSCX125/150
300	8.95	900	KSCX125/300
450	10.60	1050	KSCX125/450
600	11.92	1200	KSCX125/600
750	15.22	1350	KSCX125/750
900	16.87	1500	KSCX125/900
1000	17.97	1600	KSCX125/1000



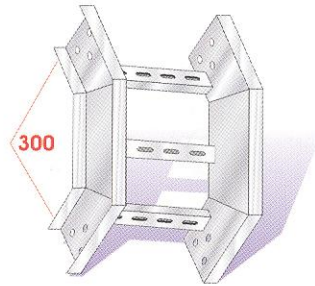
4. Vertical Inside Riser



Width mm	Weight kg.	Part No.
150	4.12	KSCIR125/150
300	4.62	KSCIR125/300
450	5.11	KSCIR125/450
600	5.61	KSCIR125/600
750	6.10	KSCIR125/750
900	6.60	KSCIR125/900
1000	6.93	KSCIR125/1000

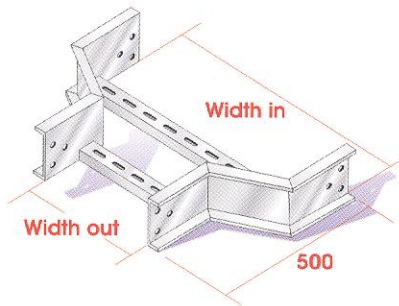
1. CLASSIC

5. Vertical Outside Riser



Width mm	Weight kg	Part No.
150	4.12	KSCOR125/150
300	4.62	KSCOR125/300
450	5.11	KSCOR125/450
600	5.61	KSCOR125/600
750	6.10	KSCOR125/750
900	6.60	KSCOR125/900
1000	6.93	KSCOR125/1000

6. Reducer



KSCR125/W1-W2

To specify reducers only determine the width in as W1, width out as W2

E.G. KSCR125/1000-600

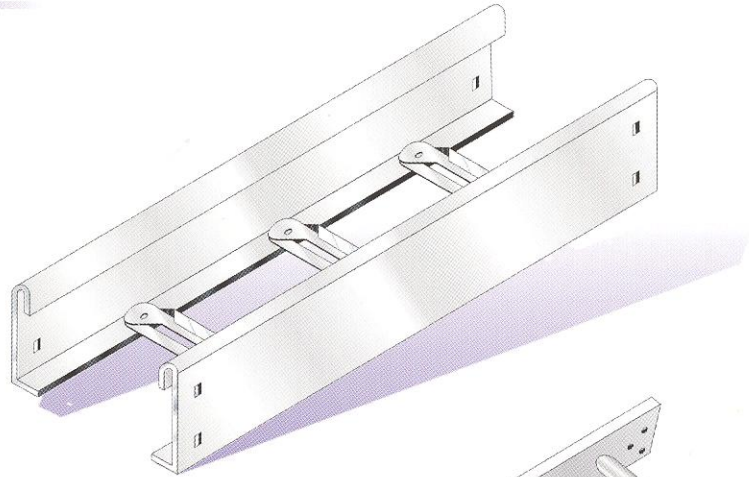
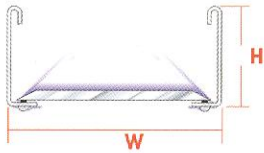
All accessories are made with standard radius of 300mm. However, we can supply alternatively radius of 600 and 900mm. Horizontal bends and Vertical risers are also available in other than 90deg as a standard item

Rungs other than 300mm centre also supplied upon request.

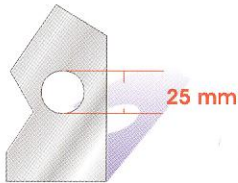
2. ESTEEM

DETAILS OF DIFFERENT TYPES OF RUNGS FOR THIS RANGE.

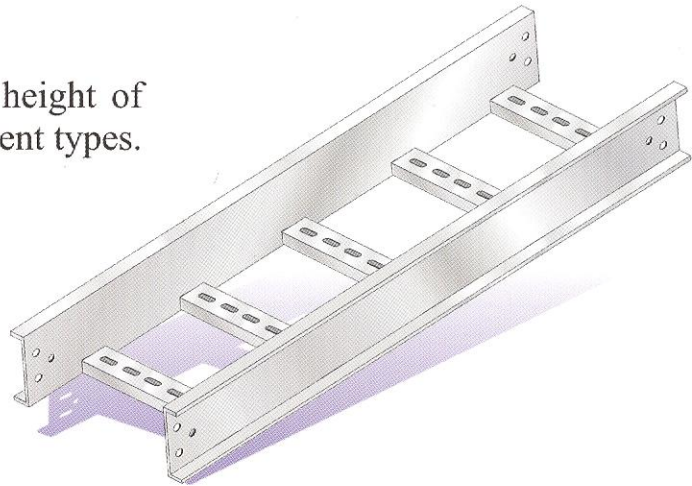
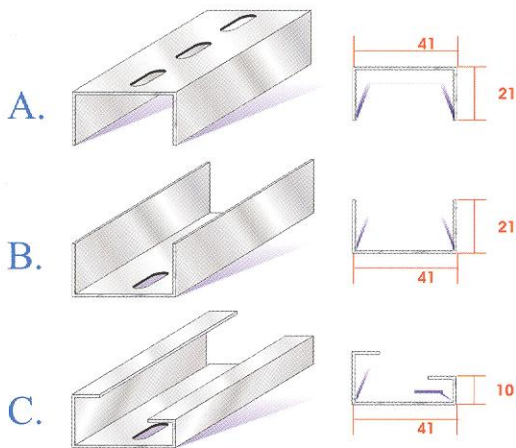
1. Riveted Type (RV)
which is used only for 55mm and 75mm height cable ladder



2. Tubular Type (TB) Available for all different height side members.



3. U welded Type Used with standard height of 55mm upto 180mm available with 3 different types.



A. (UW1) Standard downward rung

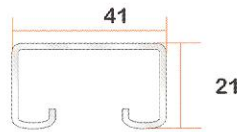
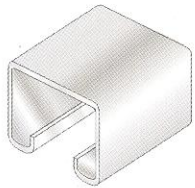
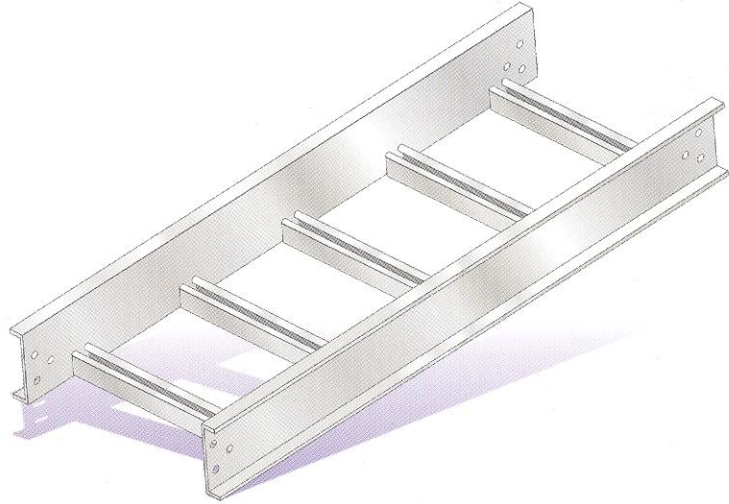
B. (UW2) Standard upward rung

C. (UW3) Standard top rung

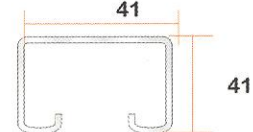
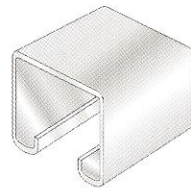
2. ESTEEM

4. Channel Welded Type:

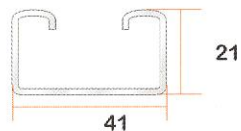
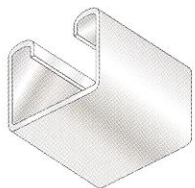
Used with standard heights starting from 55mm upto 180mm, available with two sizes 41x21mm and 41x41mm rungs & thickness 2.5mm.



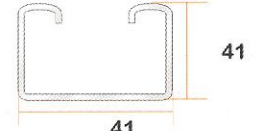
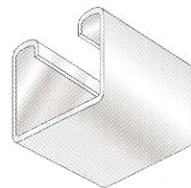
A. Standard down ward C rung (CW1)



B. Standard down ward C rung (CW2)

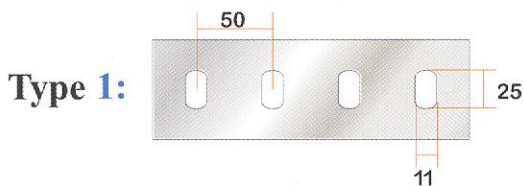


C. Standard upward C rung (CW3)



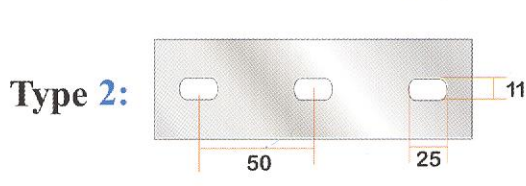
D. Standard upward C rung (CW4)

Perforation of the rungs



Vertical slots

perforation available as per customer request



Horizontal slots

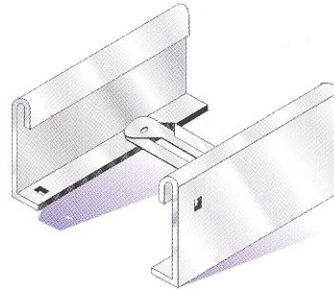
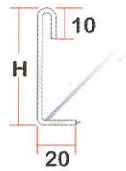
perforation KSC-Standard

2. ESTEEM

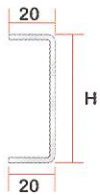
Standard and dimensions of the Flanges:

Different types of Flanges:

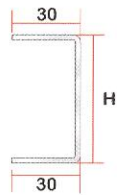
1. X type



2.



Y1 type

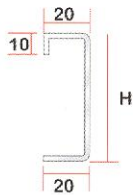


Y2 type

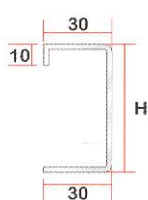


Y3 type

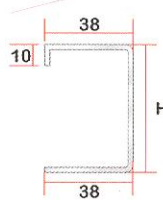
3.



Z1 type



Z2 type



Z3 type

Note: The maximum height of X type return flange is 75mm while the height of Y and Z type starts from 55mm upto 180mm

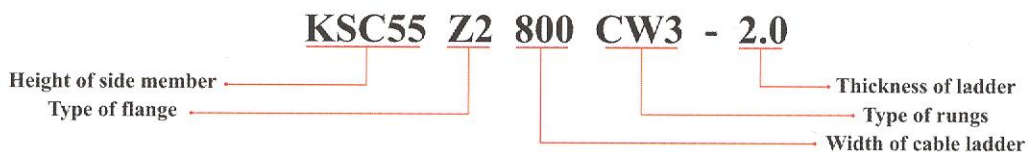
2. ESTEEM

1. 55mm side member height KSC cable ladder



Width mm	Thickness mm	Part No.
150	1.5	KSC55Y1 150UW1-1.5
150	2.0	KSC55Y1 150UW1-2.0
200	1.5	KSC55Y1 200UW1-1.5
200	2.0	KSC55Y1 200UW1-2.0
250	1.5	KSC55Y1 250UW1-1.5
250	2.0	KSC55Y1 250UW1-2.0
300	1.5	KSC55Y1 300UW1-1.5
300	2.0	KSC55Y1 300UW1-2.0
400	1.5	KSC55Y1 400UW1-1.5
400	2.0	KSC55Y1 400UW1-2.0
450	1.5	KSC55Y1 450UW1-1.5
450	2.0	KSC55Y1 450UW1-2.0
500	1.5	KSC55Y1 500UW1-1.5
500	2.0	KSC55Y1 500UW1-2.0
600	1.5	KSC55Y1 600UW1-1.5
600	2.0	KSC55Y1 600UW1-2.0
750	1.5	KSC55Y1 750UW1-1.5
750	2.0	KSC55Y1 750UW1-2.0
900	1.5	KSC55Y1 900UW1-1.5
900	2.0	KSC55Y1 900UW1-2.0
1000	1.5	KSC55Y1 1000UW1-1.5
1000	2.0	KSC55Y1 1000UW1-2.0

Note: Should you require other than above mentioned part references with different Width, rung type, type of flange and material thickness, are manufactured upon customer request/specification. Please follow the example shown below.



Cable Ladder

KSC-

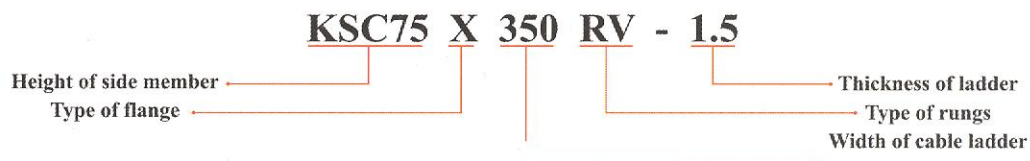
2. ESTEEM

2. 75mm side member height KSC cable ladder



Width mm	Thickness mm	Part No.
150	1.5	KSC75Y1 150UW1-1.5
150	2.0	KSC75Y1 150UW1-2.0
200	1.5	KSC75Y1 200UW1-1.5
200	2.0	KSC75Y1 200UW1-2.0
250	1.5	KSC75Y1 250UW1-1.5
250	2.0	KSC75Y1 250UW1-2.0
300	1.5	KSC75Y1 300UW1-1.5
300	2.0	KSC75Y1 300UW1-2.0
400	1.5	KSC75Y1 400UW1-1.5
400	2.0	KSC75Y1 400UW1-2.0
450	1.5	KSC75Y1 450UW1-1.5
450	2.0	KSC75Y1 450UW1-2.0
500	1.5	KSC75Y1 500UW1-1.5
500	2.0	KSC75Y1 500UW1-2.0
600	1.5	KSC75Y1 600UW1-1.5
600	2.0	KSC75Y1 600UW1-2.0
750	1.5	KSC75Y1 750UW1-1.5
750	2.0	KSC75Y1 750UW1-2.0
900	1.5	KSC75Y1 900UW1-1.5
900	2.0	KSC75Y1 900UW1-2.0
1000	1.5	KSC75Y1 1000UW1-1.5
1000	2.0	KSC75Y1 1000UW1-2.0

Note: Should you require other than above mentioned part references with different Width, rung type, type of flange and material thickness, are manufactured upon customer request/specification. Please follow the example shown below.



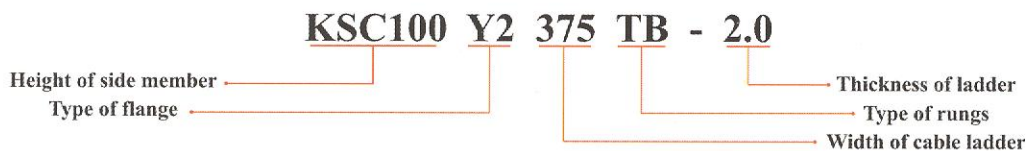
2. ESTEEM

3. 100mm side member height KSC cable ladder



Width mm	Thickness mm	Part No.
150	1.5	KSC100Y1 150UW1-1.5
150	2.0	KSC100Y1 150UW1-2.0
200	1.5	KSC100Y1 200UW1-1.5
200	2.0	KSC100Y1 200UW1-2.0
250	1.5	KSC100Y1 250UW1-1.5
250	2.0	KSC100Y1 250UW1-2.0
300	1.5	KSC100Y1 300UW1-1.5
300	2.0	KSC100Y1 300UW1-2.0
400	1.5	KSC100Y1 400UW1-1.5
400	2.0	KSC100Y1 400UW1-2.0
450	1.5	KSC100Y1 450UW1-1.5
450	2.0	KSC100Y1 450UW1-2.0
500	1.5	KSC100Y1 500UW1-1.5
500	2.0	KSC100Y1 500UW1-2.0
600	1.5	KSC100Y1 600UW1-1.5
600	2.0	KSC100Y1 600UW1-2.0
750	1.5	KSC100Y1 750UW1-1.5
750	2.0	KSC100Y1 750UW1-2.0
900	1.5	KSC100Y1 900UW1-1.5
900	2.0	KSC100Y1 900UW1-2.0
1000	1.5	KSC100Y1 1000UW1-1.5
1000	2.0	KSC100Y1 1000UW1-2.0

Note: Should you require other than above mentioned part references with different Width, rung type, type of flange and material thickness, are manufactured upon customer request/specification. Please follow the example shown below.



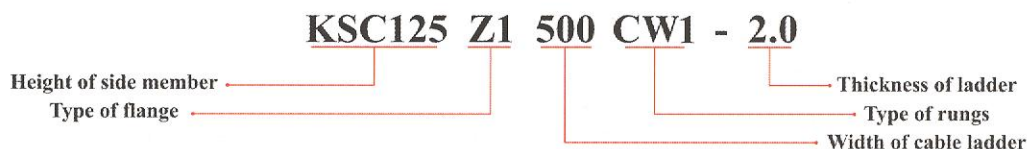
2. ESTEEM

4. 125mm side member height KSC cable ladder



Width mm	Thickness mm	Part No.
150	1.5	KSC125Y1 150UW1-1.5
150	2.0	KSC125Y1 150UW1-2.0
200	1.5	KSC125Y1 200UW1-1.5
200	2.0	KSC125Y1 200UW1-2.0
250	1.5	KSC125Y1 250UW1-1.5
250	2.0	KSC125Y1 250UW1-2.0
300	1.5	KSC125Y1 300UW1-1.5
300	2.0	KSC125Y1 300UW1-2.0
400	1.5	KSC125Y1 400UW1-1.5
400	2.0	KSC125Y1 400UW1-2.0
450	1.5	KSC125Y1 450UW1-1.5
450	2.0	KSC125Y1 450UW1-2.0
500	1.5	KSC125Y1 500UW1-1.5
500	2.0	KSC125Y1 500UW1-2.0
600	1.5	KSC125Y1 600UW1-1.5
600	2.0	KSC125Y1 600UW1-2.0
750	1.5	KSC125Y1 750UW1-1.5
750	2.0	KSC125Y1 750UW1-2.0
900	1.5	KSC125Y1 900UW1-1.5
900	2.0	KSC125Y1 900UW1-2.0
1000	1.5	KSC125Y1 1000UW1-1.5
1000	2.0	KSC125Y1 1000UW1-2.0

Note: Should you require other than above mentioned part references with different Width, rung type, type of flange and material thickness, are manufactured upon customer request/specification. Please follow the example shown below.



Cable Ladder

KSC-

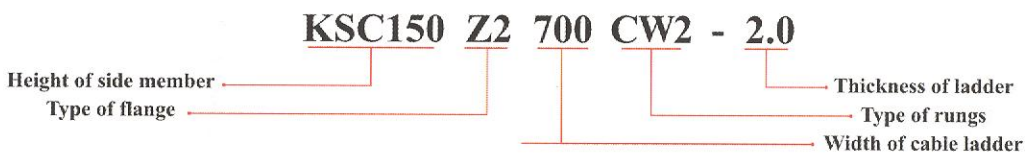
2. ESTEEM

5. 150mm side member height KSC cable ladder



Width mm	Thickness mm	Part No.
150	1.5	KSC150Y1 150UW1-1.5
150	2.0	KSC150Y1 150UW1-2.0
200	1.5	KSC150Y1 200UW1-1.5
200	2.0	KSC150Y1 200UW1-2.0
250	1.5	KSC150Y1 250UW1-1.5
250	2.0	KSC150Y1 250UW1-2.0
300	1.5	KSC150Y1 300UW1-1.5
300	2.0	KSC150Y1 300UW1-2.0
400	1.5	KSC150Y1 400UW1-1.5
400	2.0	KSC150Y1 400UW1-2.0
450	1.5	KSC150Y1 450UW1-1.5
450	2.0	KSC150Y1 450UW1-2.0
500	1.5	KSC150Y1 500UW1-1.5
500	2.0	KSC150Y1 500UW1-2.0
600	1.5	KSC150Y1 600UW1-1.5
600	2.0	KSC150Y1 600UW1-2.0
750	1.5	KSC150Y1 750UW1-1.5
750	2.0	KSC150Y1 750UW1-2.0
900	1.5	KSC150Y1 900UW1-1.5
900	2.0	KSC150Y1 900UW1-2.0
1000	1.5	KSC150Y1 1000UW1-1.5
1000	2.0	KSC150Y1 1000UW1-2.0

Note: Should you require other than above mentioned part references with different Width, rung type, type of flange and material thickness, are manufactured upon customer request/specification. Please follow the example shown below.



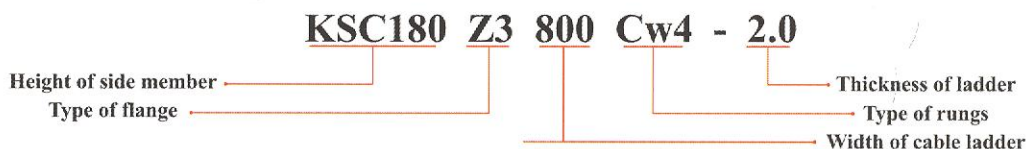
2. ESTEEM

6. 180mm side member height KSC cable ladder



Width mm	Thickness mm	Part No.
150	1.5	KSC180Y1 150UW1-1.5
150	2.0	KSC180Y1 150UW1-2.0
200	1.5	KSC180Y1 200UW1-1.5
200	2.0	KSC180Y1 200UW1-2.0
250	1.5	KSC180Y1 250UW1-1.5
250	2.0	KSC180Y1 250UW1-2.0
300	1.5	KSC180Y1 300UW1-1.5
300	2.0	KSC180Y1 300UW1-2.0
400	1.5	KSC180Y1 400UW1-1.5
400	2.0	KSC180Y1 400UW1-2.0
450	1.5	KSC180Y1 450UW1-1.5
450	2.0	KSC180Y1 450UW1-2.0
500	1.5	KSC180Y1 500UW1-1.5
500	2.0	KSC180Y1 500UW1-2.0
600	1.5	KSC180Y1 600UW1-1.5
600	2.0	KSC180Y1 600UW1-2.0
750	1.5	KSC180Y1 750UW1-1.5
750	2.0	KSC180Y1 750UW1-2.0
900	1.5	KSC180Y1 900UW1-1.5
900	2.0	KSC180Y1 900UW1-2.0
1000	1.5	KSC180Y1 1000UW1-1.5
1000	2.0	KSC180Y1 1000UW1-2.0

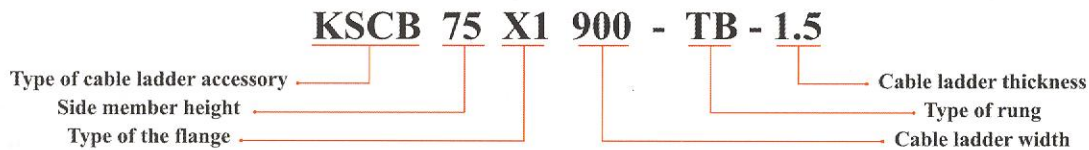
Note: Should you require other than above mentioned part references with different Width, rung type, type of flange and material thickness, are manufactured upon customer request/specification. Please follow the example shown below.



2. ESTEEM

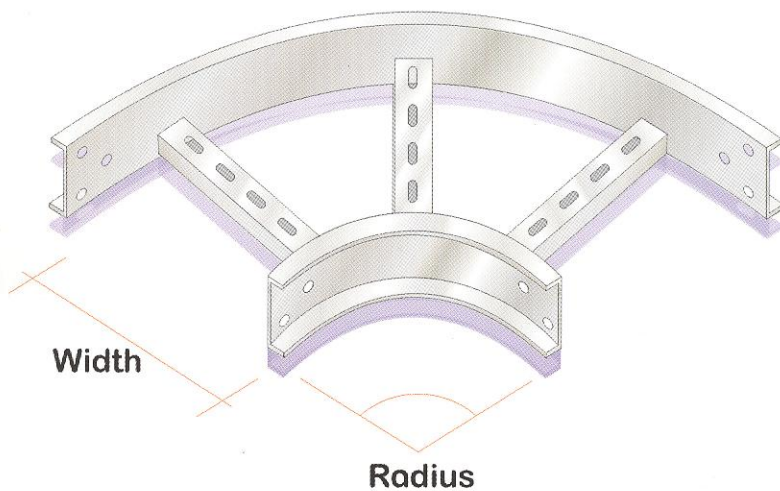
ACCESSORIES

All part number of different height & width's accessories are not mentioned. Therefore, please follow the example below for a part number with the width required.



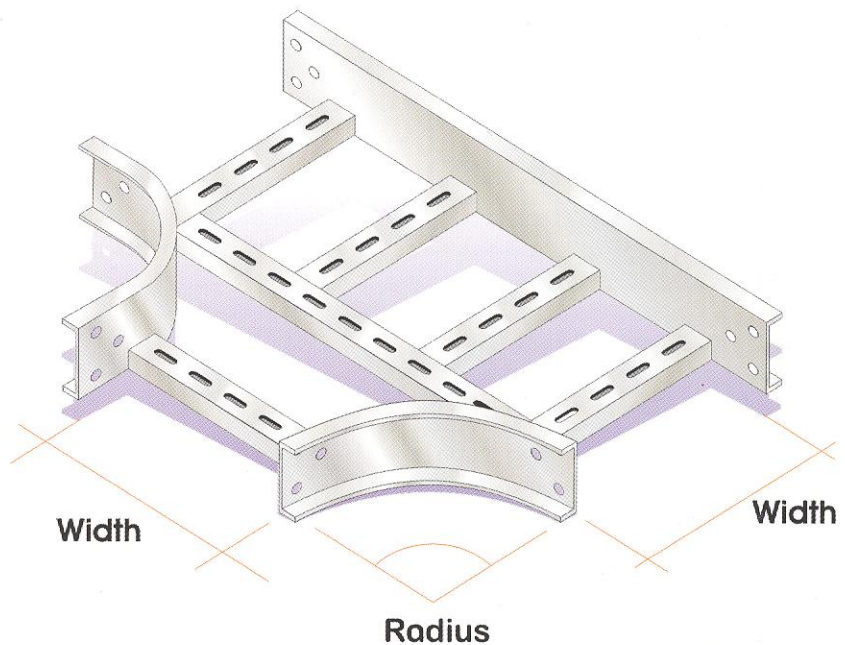
1. Horizontal Bend 90Deg (B)

Part No.	
KSCB55Y1	300UW1-1.5
KSCB75Y1	300UW1-1.5
KSCB100Y1	300UW1-1.5
KSCB125Y1	300UW1-1.5
KSCB150Y1	300UW1-1.5
KSCB180Y1	300UW1-1.5



2. Horizontal Tee (T)

Part No.	
KSCT55Y1	300UW1-1.5
KSCT75Y1	300UW1-1.5
KSCT100Y1	300UW1-1.5
KSCT125Y1	300UW1-1.5
KSCT150Y1	300UW1-1.5
KSCT180Y1	300UW1-1.5

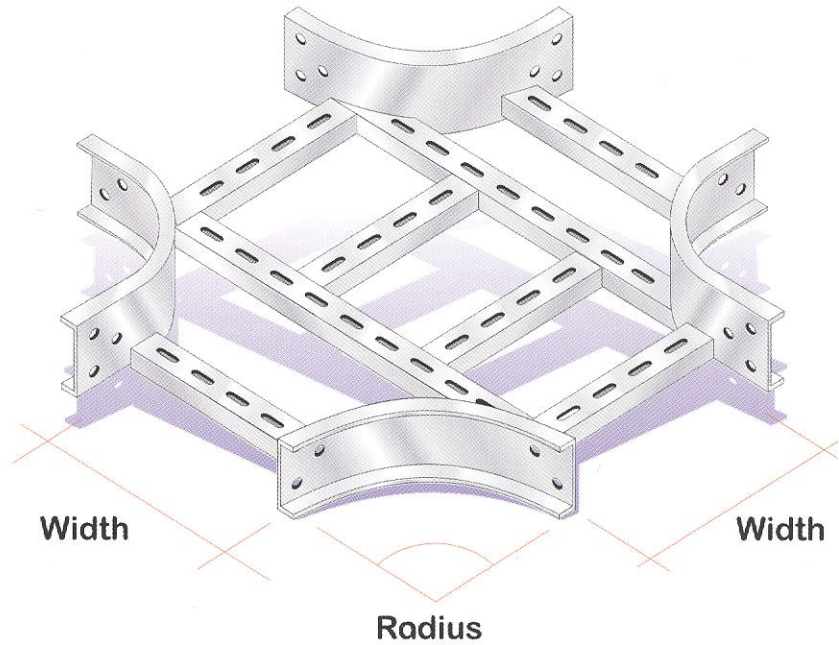


2. ESTEEM

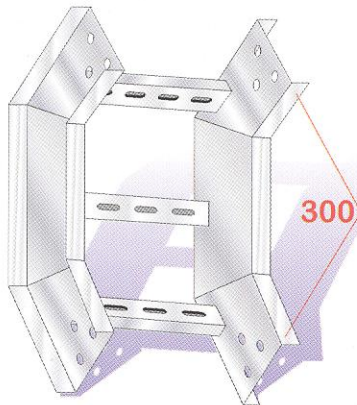
ACCESSORIES

3. Horizontal Cross (X)

Part No.	
KSCX55Y1	300UW1-1.5
KSCX75Y1	300UW1-1.5
KSCX100Y1	300UW1-1.5
KSCX125Y1	300UW1-1.5
KSCX150Y1	300UW1-1.5
KSCX180Y1	300UW1-1.5



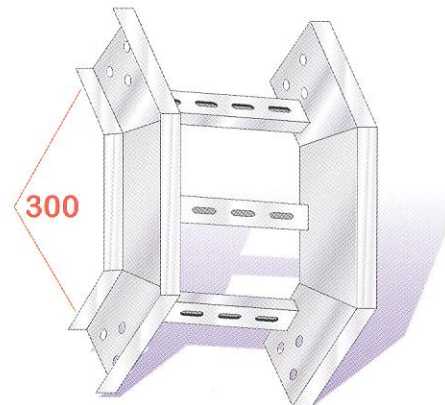
4. Inside Riser (IR)



Part No.	
KSCIR55Y1	300UW1-1.5
KSCIR75Y1	300UW1-1.5
KSCIR100Y1	300UW1-1.5
KSCIR125Y1	300UW1-1.5
KSCIR150Y1	300UW1-1.5
KSCIR180Y1	300UW1-1.5

5. Outside Riser (OR)

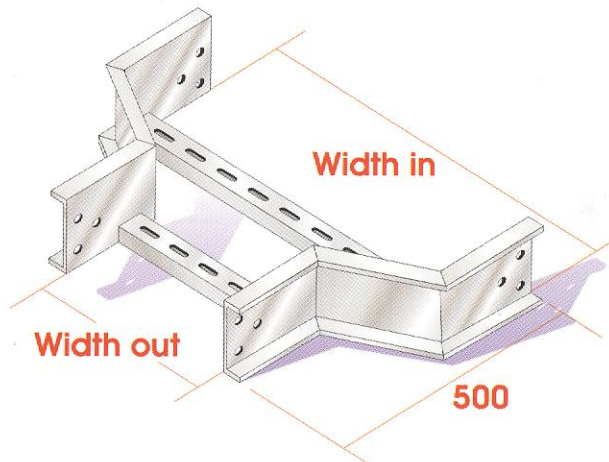
Part No.	
KSCOR55Y1	300UW1-1.5
KSCOR75Y1	300UW1-1.5
KSCOR100Y1	300UW1-1.5
KSCOR125Y1	300UW1-1.5
KSCOR150Y1	300UW1-1.5
KSCOR180Y1	300UW1-1.5



2. ESTEEM

6. Straight Reducers

Part No.	
KSCR55Y1	300UW1-1.5
KSCR75Y1	300UW1-1.5
KSCR100Y1	300UW1-1.5
KSCR125Y1	300UW1-1.5
KSCR150Y1	300UW1-1.5
KSCR180Y1	300UW1-1.5



NOTES:

Height, width, rung type, flanges and material thickness shown in the tables are only for reference. Please choose your requirements according to the general formula mentioned in the earlier pages.

All accessories are made with standard radius of 300mm. However, we can supply alternatively radius of 600 and 900mm. Horizontal bends and Vertical risers are also available in other than 90deg as a standard item.

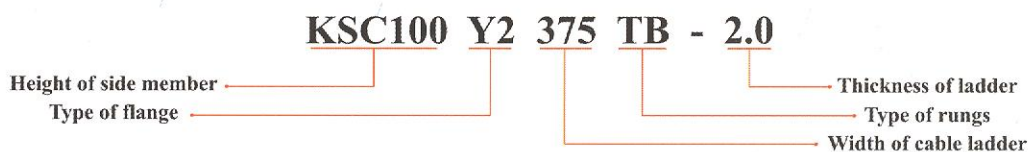
2. ESTEEM

7. 100mm side member height KSC cable ladder



Width mm	Thickness mm	Part No.
100	1.5	KSC100Y1 100TB-1.5
100	2.0	KSC100Y1 100TB-2.0
150	1.5	KSC100Y1 150TB-1.5
150	2.0	KSC100Y1 150TB-2.0
225	1.5	KSC100Y1 225TB-1.5
225	2.0	KSC100Y1 225TB-2.0
300	1.5	KSC100Y1 300TB-1.5
300	2.0	KSC100Y1 300TB-2.0
450	1.5	KSC100Y1 425TB-1.5
450	2.0	KSC100Y1 425TB-2.0
600	1.5	KSC100Y1 600TB-1.5
600	2.0	KSC100Y1 600TB-2.0

Note: Should you require other than above mentioned part references with different Width, rung type, type of flange and material thickness, are manufactured upon customer request/specification. Please follow the example shown below.

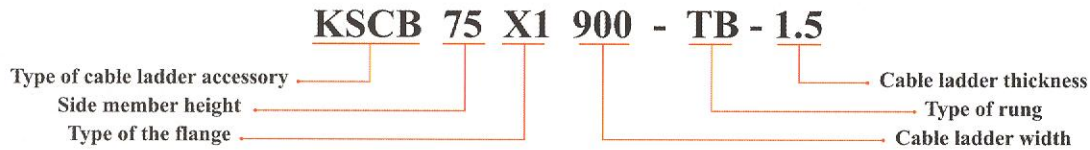


Side member heights other than 100mm also available.

2. ESTEEM

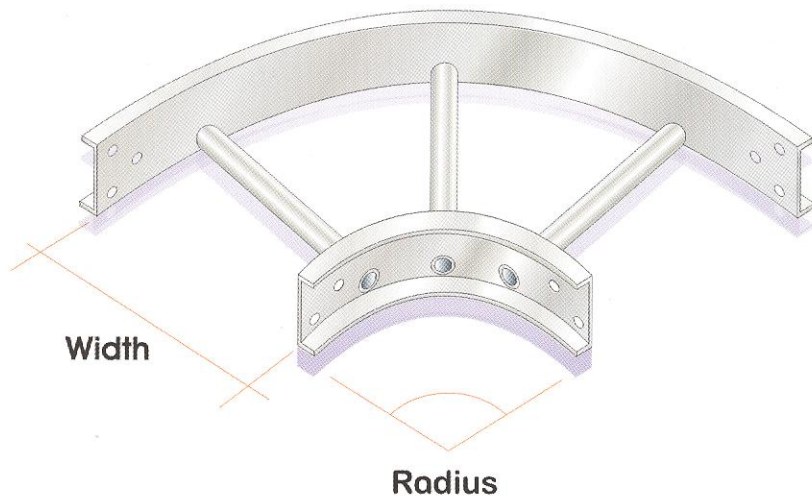
ACCESSORIES

All part number of different height & width's accessories are not mentioned. Therefore, please follow the example below for a part number with the width required.



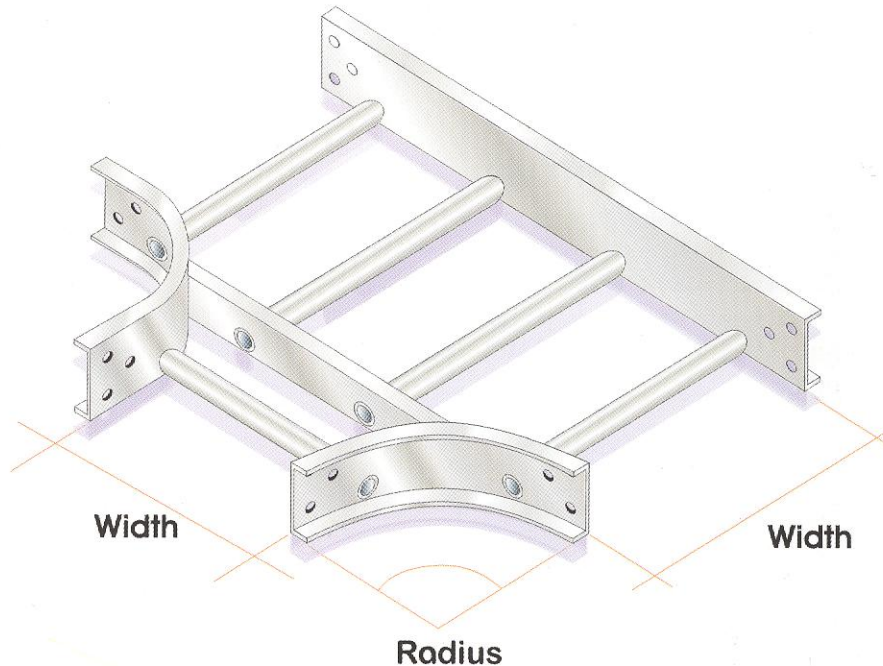
1. Horizontal Bend 90deg (B)

Part No.	
KSCB55Y1	300TB-1.5
KSCB75Y1	300TB-1.5
KSCB100Y1	300TB-1.5
KSCB125Y1	300TB-1.5
KSCB150Y1	300TB-1.5
KSCB180Y1	300TB-1.5



2. Horizontal Tee (T)

Part No.	
KSCT55Y1	300TB-1.5
KSCT75Y1	300TB-1.5
KSCT100Y1	300TB-1.5
KSCT125Y1	300TB-1.5
KSCT150Y1	300TB-1.5
KSCT180Y1	300TB-1.5

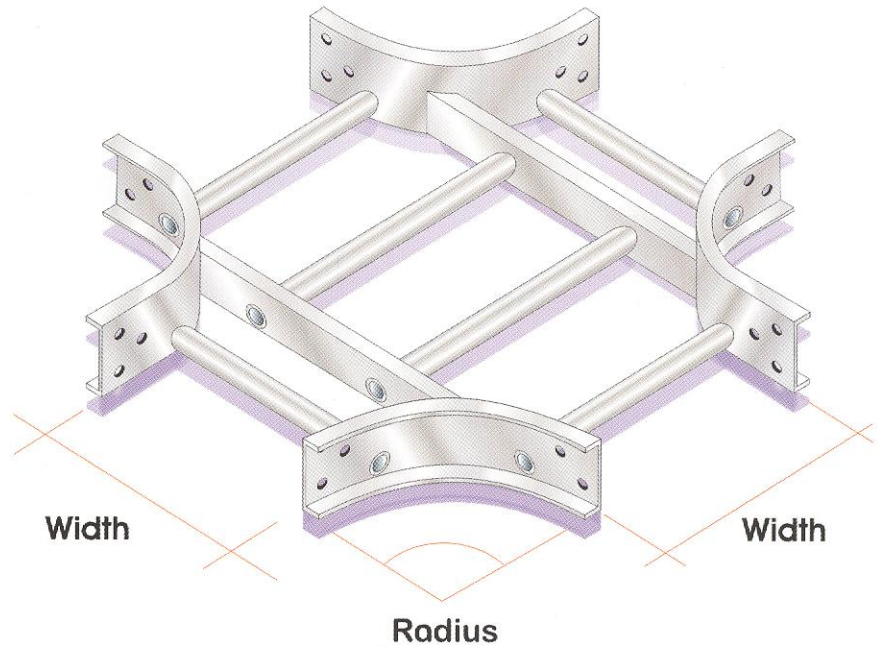


2. ESTEEM

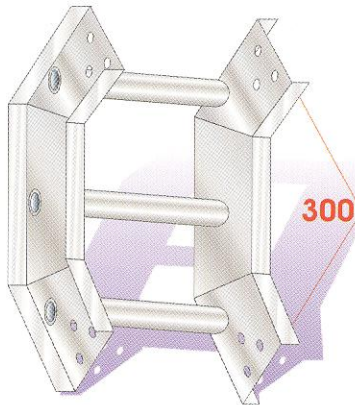
ACCESSORIES

3. Horizontal Cross (X)

Part No.	
KSCX55Y1	300TB-1.5
KSCX75Y1	300TB-1.5
KSCX100Y1	300TB-1.5
KSCX125Y1	300TB-1.5
KSCX150Y1	300TB-1.5
KSCX180Y1	300TB-1.5



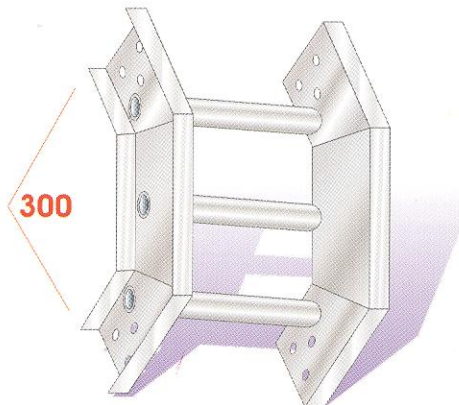
4. Inside Riser (IR)



Part No.	
KSCIR55Y1	300TB-1.5
KSCIR75Y1	300TB-1.5
KSCIR100Y1	300TB-1.5
KSCIR125Y1	300TB-1.5
KSCIR150Y1	300TB-1.5
KSCIR180Y1	300TB-1.5

5. Outside Riser (OR)

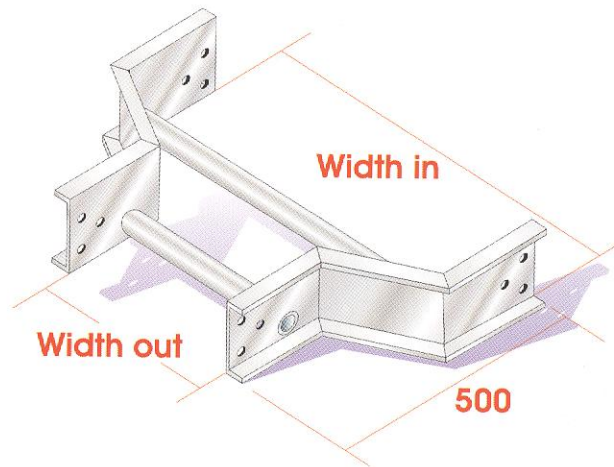
Part No.	
KSCOR55Y1	300TB-1.5
KSCOR75Y1	300TB-1.5
KSCOR100Y1	300TB-1.5
KSCOR125Y1	300TB-1.5
KSCOR150Y1	300TB-1.5
KSCOR180Y1	300TB-1.5



2. ESTEEM

6. Straight Reducers

Part No.	
KSCR55Y1	300TB-1.5
KSCR75Y1	300TB-1.5
KSCR100Y1	300TB-1.5
KSCR125Y1	300TB-1.5
KSCR150Y1	300TB-1.5
KSCR180Y1	300TB-1.5



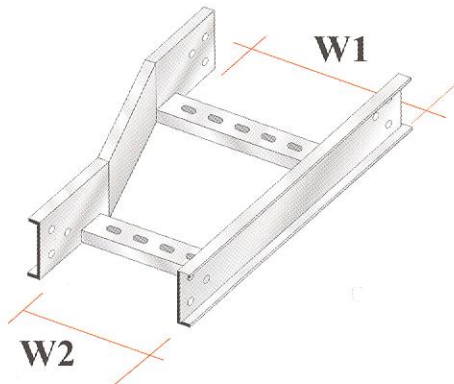
NOTES:

Height, width, rung type, flanges and material thickness shown in the tables are only for reference. Please choose your requirements according to the general formula mentioned in the earlier pages.

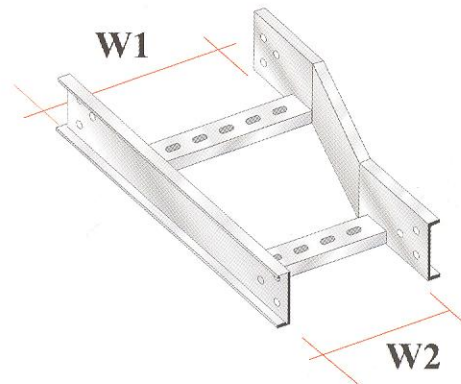
All accessories are made with standard radius of 300mm. However, we can supply alternatively radius of 600 and 900mm. Horizontal bends and Vertical risers are also available in other than 90deg as a standard item.

2. ESTEEM

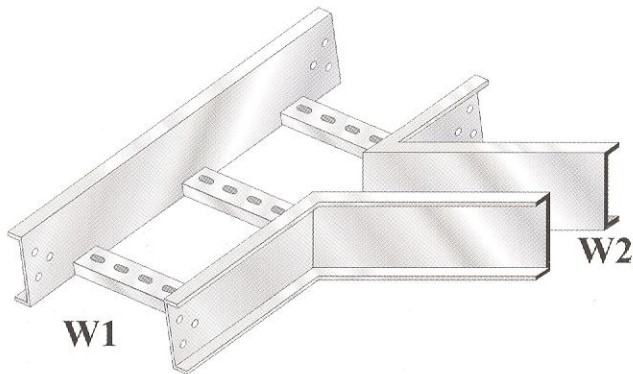
Please specify the width and type of the cable ladder for the following accessories.



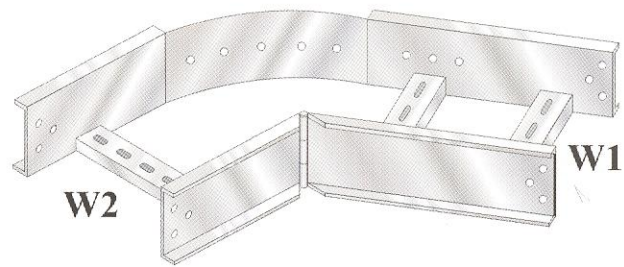
• Left Hand Reducer
KSCH*LHR/W1-W2



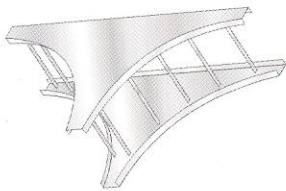
• Right Hand Reducer
KSCH*RHR/W1-W2



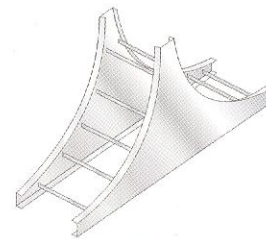
• Right Hand Shown
KSCH*RHS/W1-W2



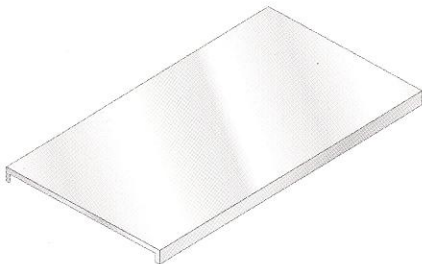
• Horizontal Adjustable Elbow
KSCH*HAE/W1-W2



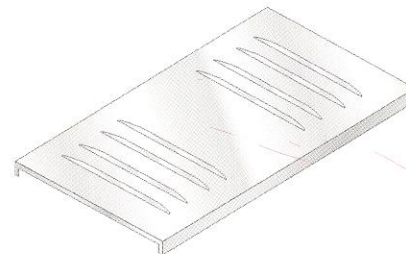
• Vertical Tee Down
KSCH*VTD/Width



• Vertical Tee Up
KSCH*VTU/Width



• Closed Cover
KSCSH*C/Width

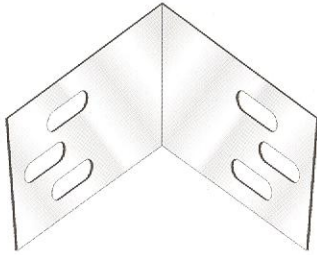


• Louvered Cover
KSCH*VFC/Width

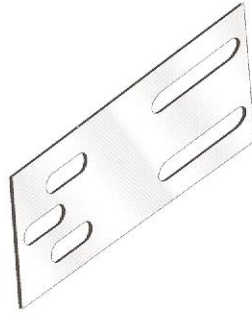
H indicates height of the ladder.

2. ESTEEM

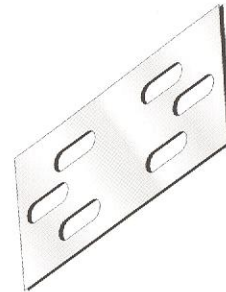
Please specify the width and type of the cable ladder for the following cable ladder general ancillary items.



• 90deg Angle Connector
KSC9AC/H*



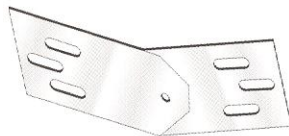
• Expansion Connector
KSCEC/H*



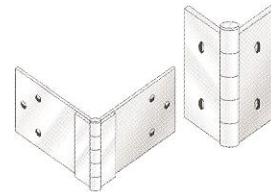
• Standard Connector
KSCSC/H*



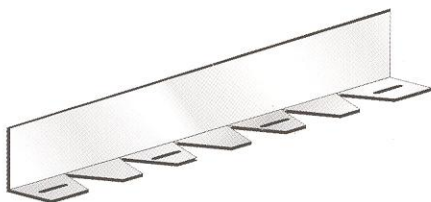
• Reducing Connector
KSCH*RC/DIFFERENCE



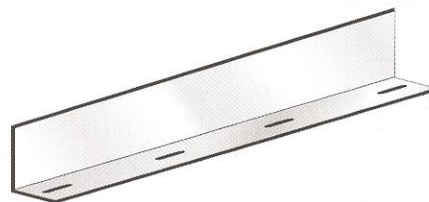
• Vertical Adjustable
connector KSCVAC/H*



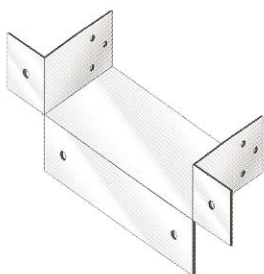
• Horizontal Adjustable
connector KSCHAC/H*



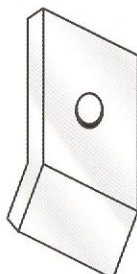
• Horizontal Fittings Barrier
KSCHB/H*



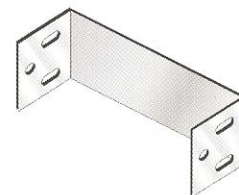
• Vertical Fittings Barrier
KSCVB/H*



• Box Connector
KSCH*BC/Width



• Hold Down Clamp
HDC



• Blind End
KSCH*BE/Width

H indicates height of the ladder.